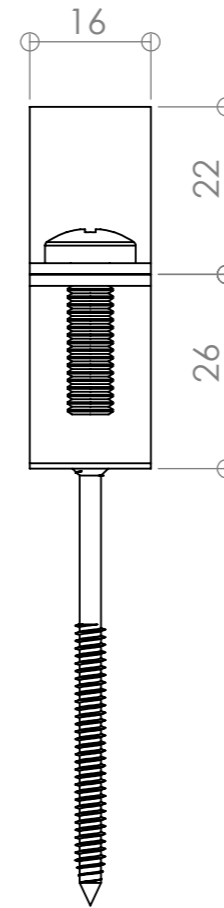
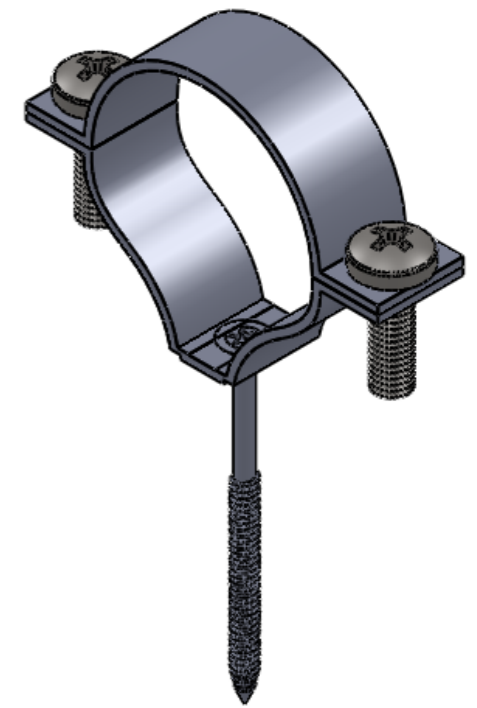


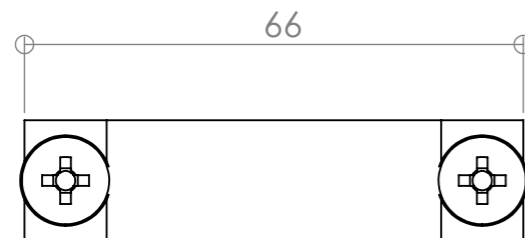
Front View
Scale 1:1



Side View
Scale 1:1



Isometric View



Top View
Scale 1:1

| | | | | | | | | | | | |
|---|--|--|--|---------|--|-----------------------------------|--|----------------------|--|--------------------------|--|
| UNLESS OTHERWISE SPECIFIED: DIMENSIONS ARE IN MILLIMETERS SURFACE FINISH: TOLERANCES: LINEAR: ANGULAR: | | | | FINISH: | | DEBUR AND BREAK SHARP EDGES | | DO NOT SCALE DRAWING | | REVISION | |
| DRAWN | | | | NAME | | SIGNATURE | | DATE | | TITLE: | |
| CHK'D | | | | | | | | | | | |
| APPV'D | | | | | | | | | | | |
| MFG | | | | | | | | | | | |
| Q.A | | | | | | | | MATERIAL: | | DWG NO. W40HB,040 | |
| | | | | | | | | WEIGHT: | | SCALE:1:1 | |
| | | | | | | | | | | SHEET 1 OF 1 | |
| | | | | | | | | | | A3 | |