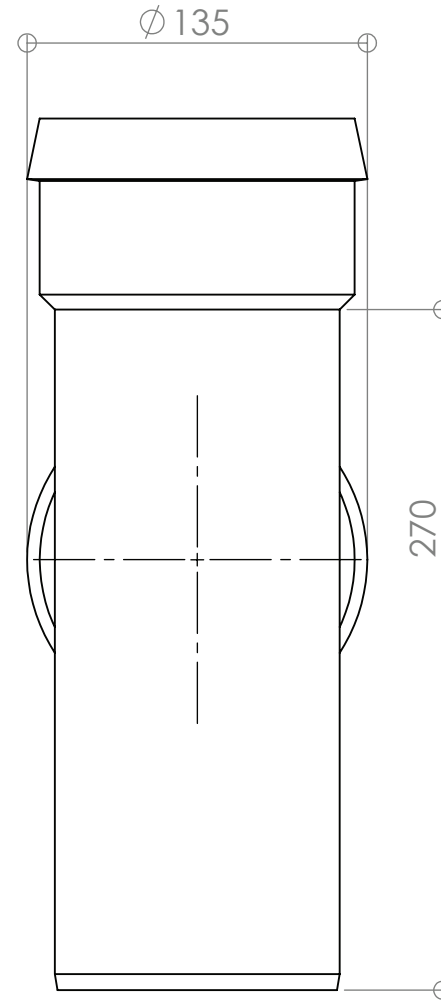
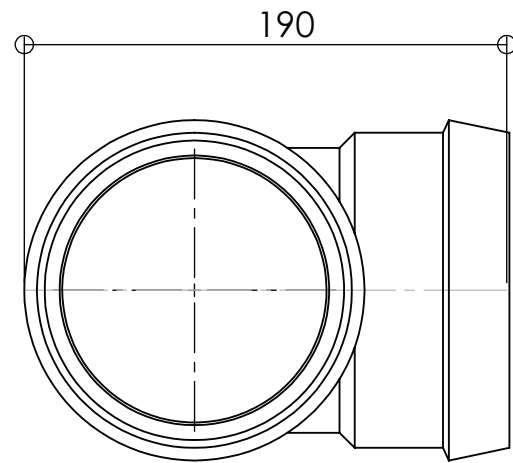


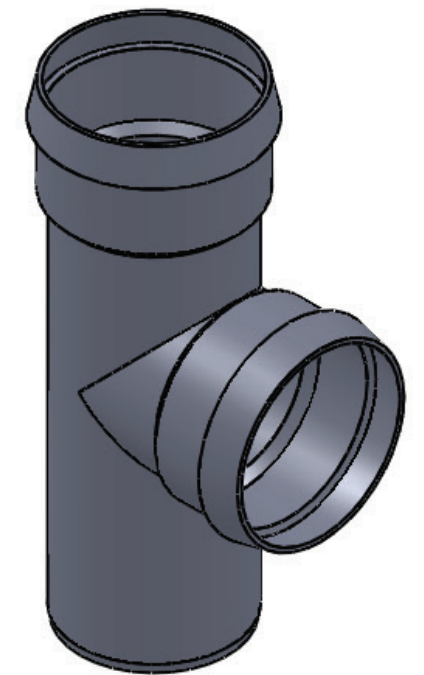
Front View
Scale 1:3



Side View
Scale 1:3



Top View
Scale 1:3



Isometric View

UNLESS OTHERWISE SPECIFIED: DIMENSIONS ARE IN MILLIMETERS SURFACE FINISH: TOLERANCES: LINEAR: ANGULAR:				FINISH:		DEBUR AND BREAK SHARP EDGES		DO NOT SCALE DRAWING		REVISION	
DRAWN				SIGNATURE		DATE		TITLE:			
CHK'D											
APPV'D											
MFG											
Q.A						MATERIAL:		DWG NO.		U110SJ,015	
						WEIGHT:		SCALE:1:5		SHEET 1 OF 1	
										A3	