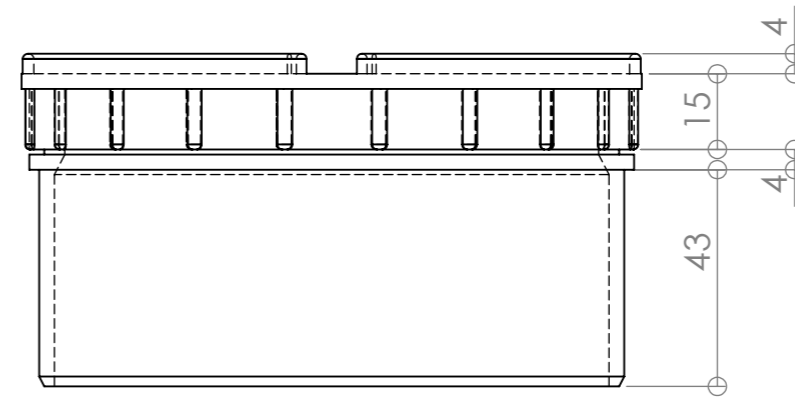
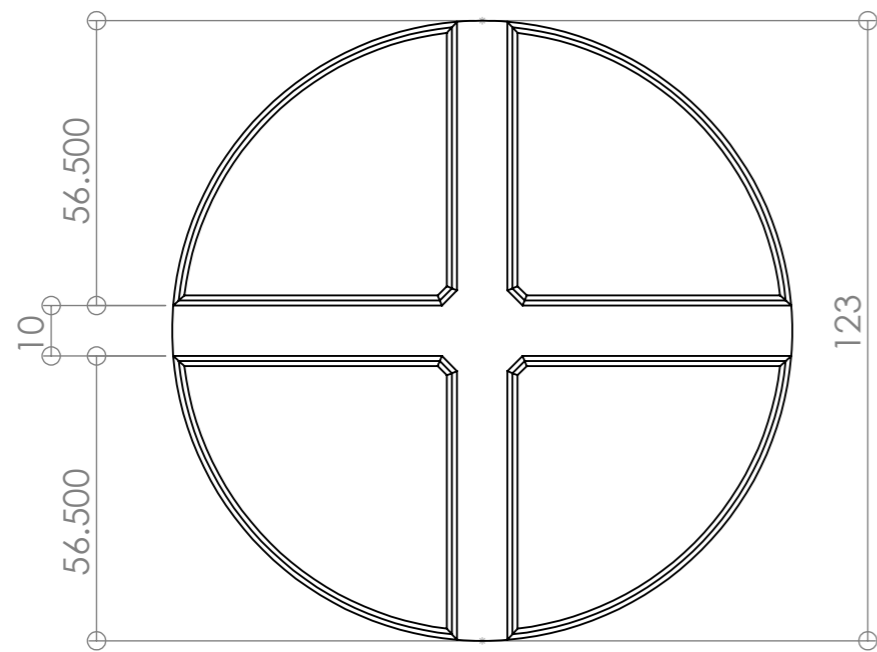


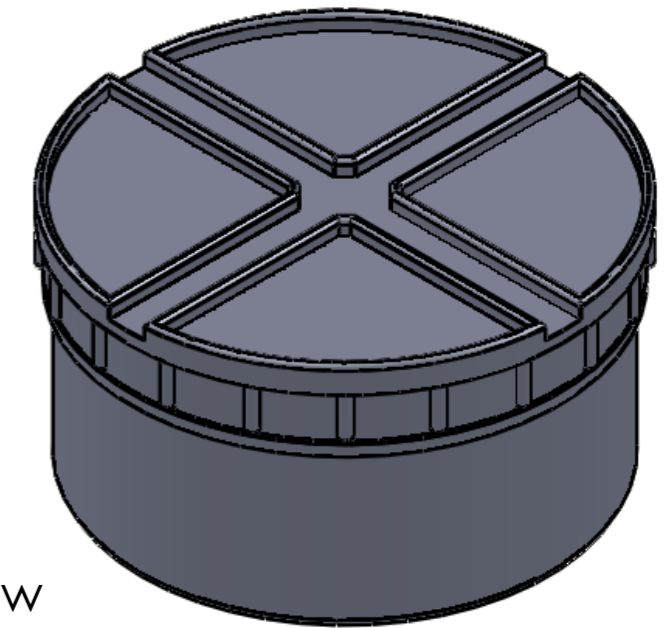
Front View  
Scale 1:1.5



Side View  
Scale 1:1.5



Top View  
Scale 1:1.5



Isometric View

UNLESS OTHERWISE SPECIFIED: DIMENSIONS ARE IN MILLIMETERS SURFACE FINISH: TOLERANCES: LINEAR: ANGULAR:				FINISH:		DEBUR AND BREAK SHARP EDGES		DO NOT SCALE DRAWING		REVISION	
DRAWN				NAME		SIGNATURE		DATE		TITLE:	
CHK'D											
APPV'D											
MFG											
Q.A								MATERIAL:		DWG NO. <b>U110SEA,050</b>	
								WEIGHT:		SCALE:1:2	
										SHEET 1 OF 1	
										A3	