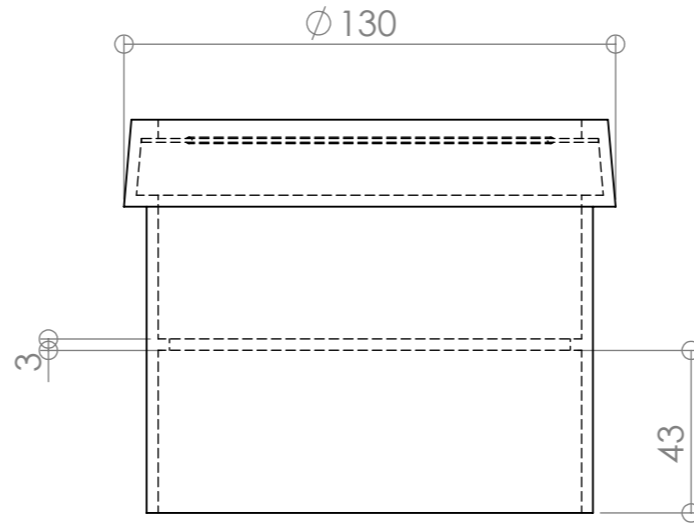
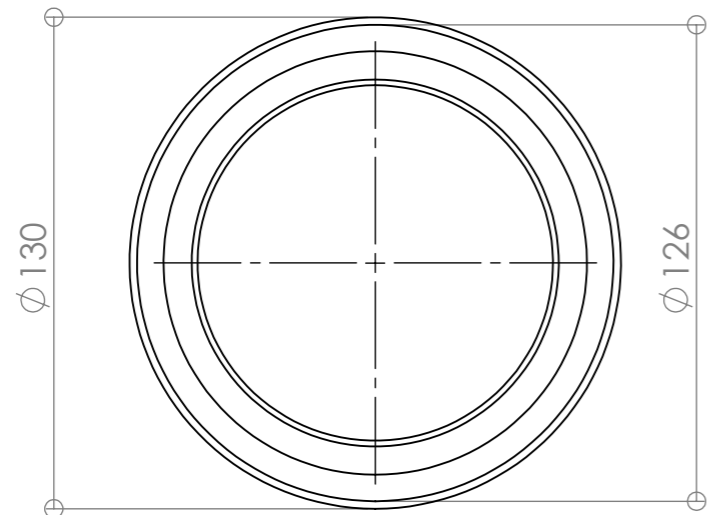


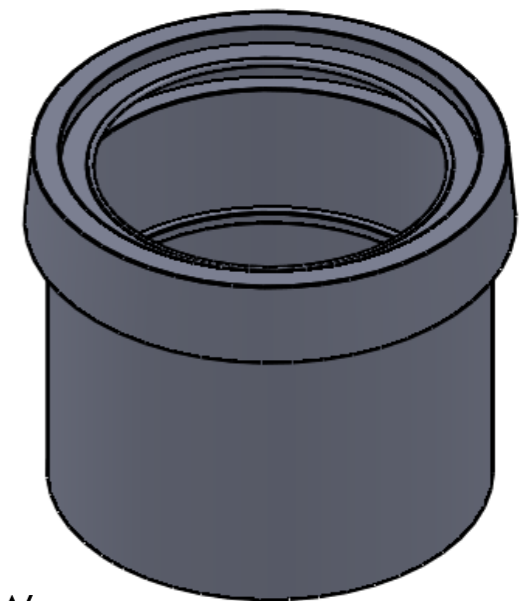
Front View  
Scale 1:2



Side View  
Scale 1:2



Top View  
Scale 1:2



Isometric View  
Scale 1:2

UNLESS OTHERWISE SPECIFIED: DIMENSIONS ARE IN MILLIMETERS SURFACE FINISH: TOLERANCES: LINEAR: ANGULAR:				FINISH:		DEBUR AND BREAK SHARP EDGES		DO NOT SCALE DRAWING		REVISION	
DRAWN	NAME	SIGNATURE	DATE					TITLE:			
CHK'D											
APPV'D											
MFG											
Q.A						MATERIAL:		DWG NO.		S110SS,005	
						WEIGHT:		SCALE:1:2		A3	
								SHEET 1 OF 1			