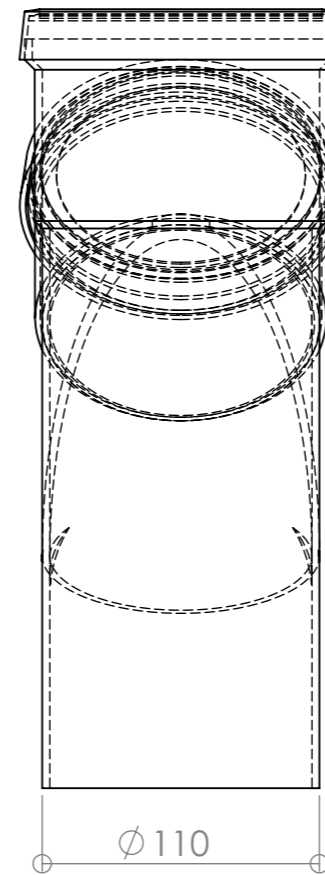
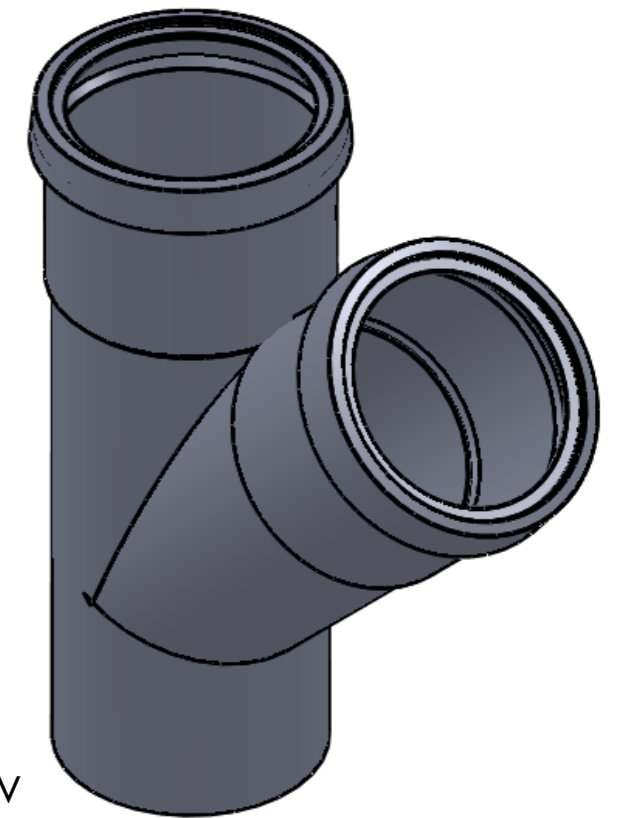


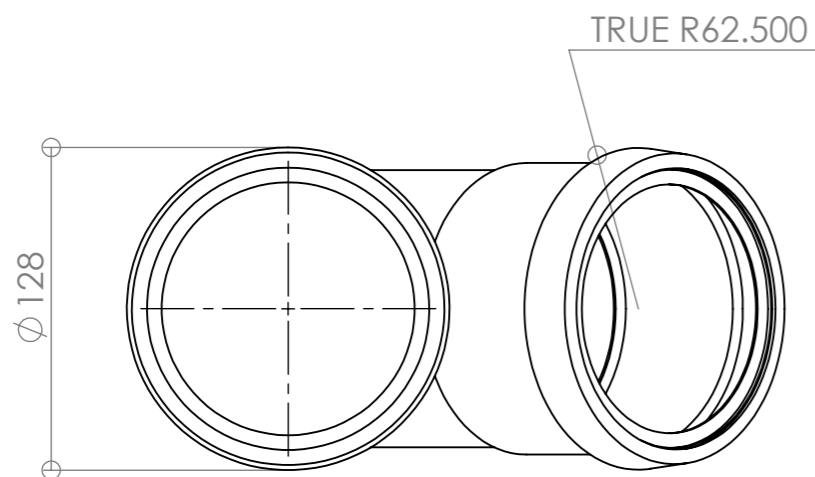
Front View
Scale 1:3



Side View
Scale 1:3



Isometric View
Scale 1:3



Top View
Scale 1:3

| | | | | | | | | | | | |
|---|--|--|--|-----------|--|-----------------------------------|--|----------------------|--|--------------|--|
| UNLESS OTHERWISE SPECIFIED: DIMENSIONS ARE IN MILLIMETERS SURFACE FINISH: TOLERANCES: LINEAR: ANGULAR: | | | | FINISH: | | DEBUR AND BREAK SHARP EDGES | | DO NOT SCALE DRAWING | | REVISION | |
| DRAWN | | | | SIGNATURE | | DATE | | TITLE: | | | |
| CHK'D | | | | | | | | | | | |
| APPV'D | | | | | | | | | | | |
| MFG | | | | | | | | | | | |
| Q.A | | | | | | MATERIAL: | | DWG NO. | | A3 | |
| | | | | | | WEIGHT: | | SCALE:1:5 | | SHEET 1 OF 1 | |
| | | | | | | | | S110SJ,080 | | | |