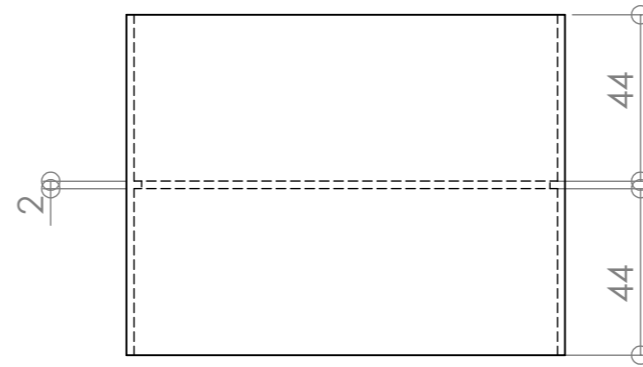
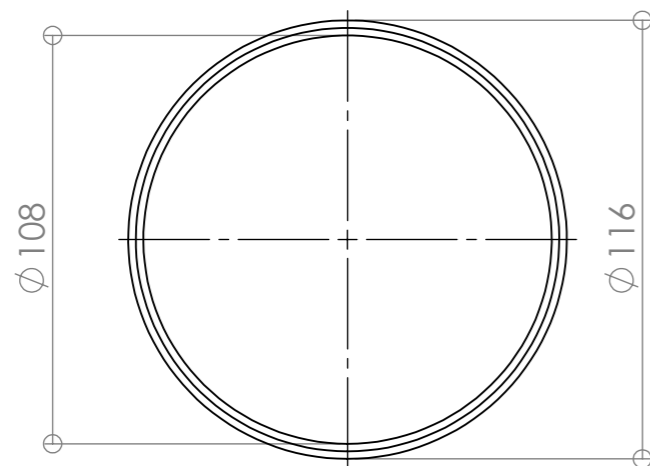


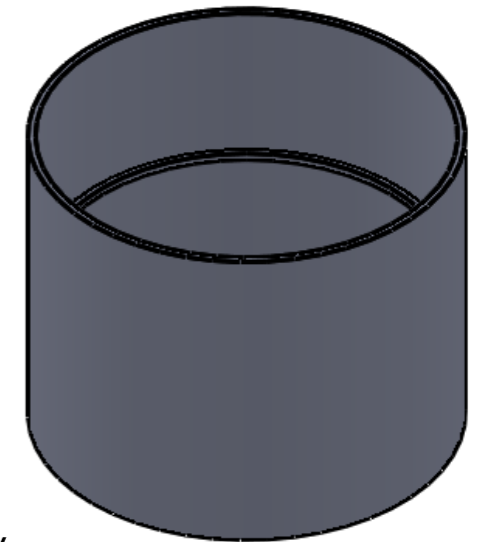
Front View
Scale 1:2



Side View
Scale 1:2



Top View
Scale 1:2



Isometric View
Scale 1:2

UNLESS OTHERWISE SPECIFIED: DIMENSIONS ARE IN MILLIMETERS				FINISH:		DEBUR AND BREAK SHARP EDGES		DO NOT SCALE DRAWING		REVISION	
SURFACE FINISH:											
TOLERANCES:											
LINEAR:											
ANGULAR:											
	NAME	SIGNATURE	DATE			TITLE:					
DRAWN											
CHK'D											
APPV'D											
MFG											
Q.A						MATERIAL:		DWG NO.		A3	
								S110DS,035			
						WEIGHT:		SCALE:1:2		SHEET 1 OF 1	