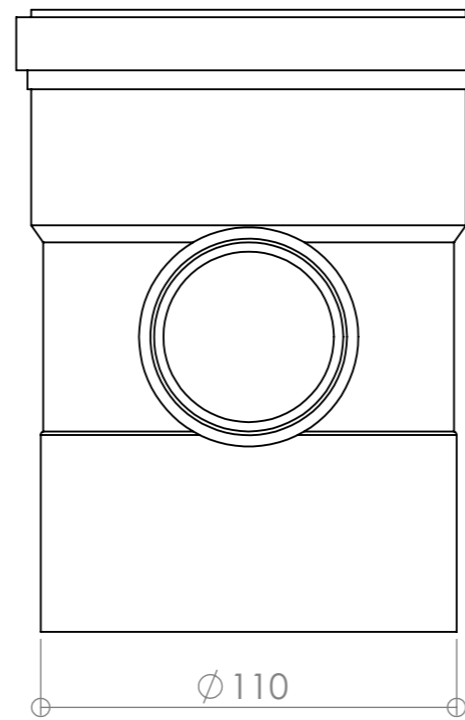
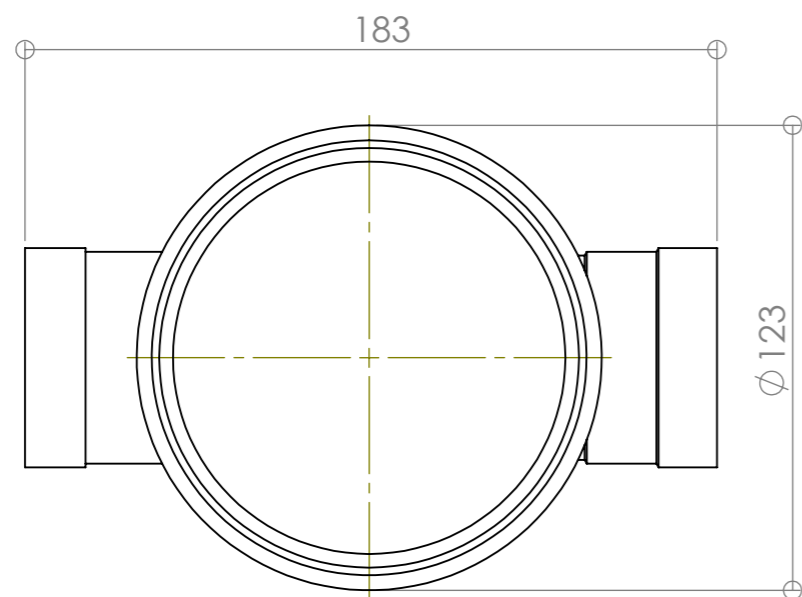


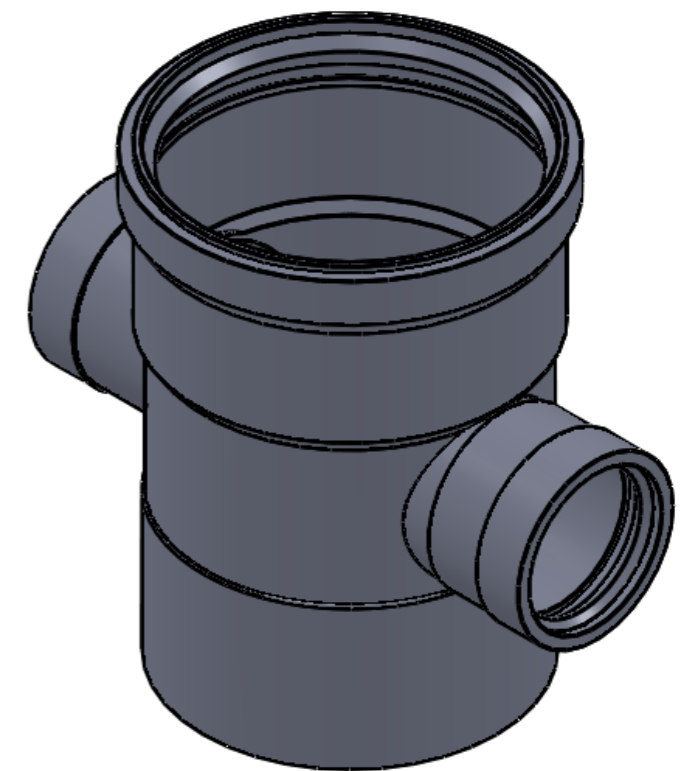
Front View  
Scale 1:2



Side View  
Scale 1:2



Top View  
Scale 1:2



Isometric View  
Scale 1:2

|   |  |  |  |         |  |                                   |  |                      |  |                              |  |
|---|--|--|--|---------|--|-----------------------------------|--|----------------------|--|------------------------------|--|
| UNLESS OTHERWISE SPECIFIED:<br>DIMENSIONS ARE IN MILLIMETERS<br>SURFACE FINISH:<br>TOLERANCES:<br>LINEAR:<br>ANGULAR: |  |  |  | FINISH: |  | DEBUR AND<br>BREAK SHARP<br>EDGES |  | DO NOT SCALE DRAWING |  | REVISION                     |  |
| DRAWN   |  |  |  | NAME    |  | SIGNATURE                         |  | DATE                 |  | TITLE:                       |  |
| CHK'D   |  |  |  |         |  |                                   |  |                      |  |                              |  |
| APPV'D  |  |  |  |         |  |                                   |  |                      |  |                              |  |
| MFG   |  |  |  |         |  |                                   |  |                      |  |                              |  |
| Q.A   |  |  |  |         |  |                                   |  | MATERIAL:            |  | DWG NO. <b>S110DRJ,NS325</b> |  |
|   |  |  |  |         |  |                                   |  | WEIGHT:              |  | SCALE:1:2                    |  |
|   |  |  |  |         |  |                                   |  |                      |  | SHEET 1 OF 1                 |  |
|   |  |  |  |         |  |                                   |  |                      |  | A3                           |  |