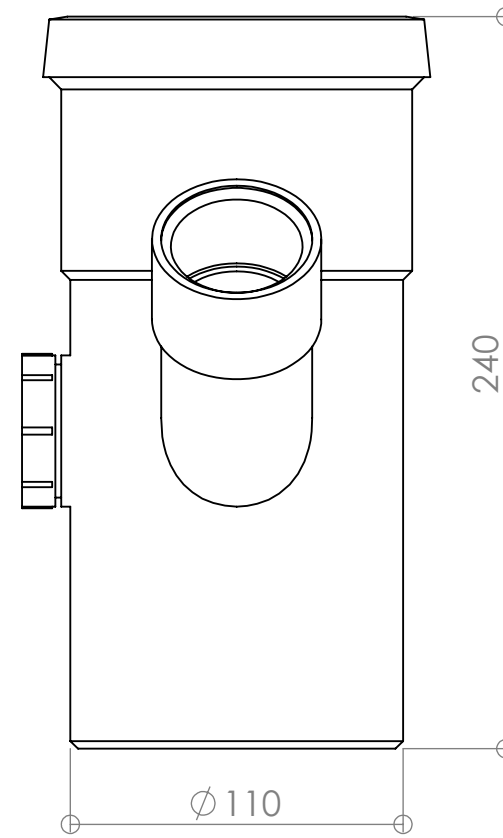
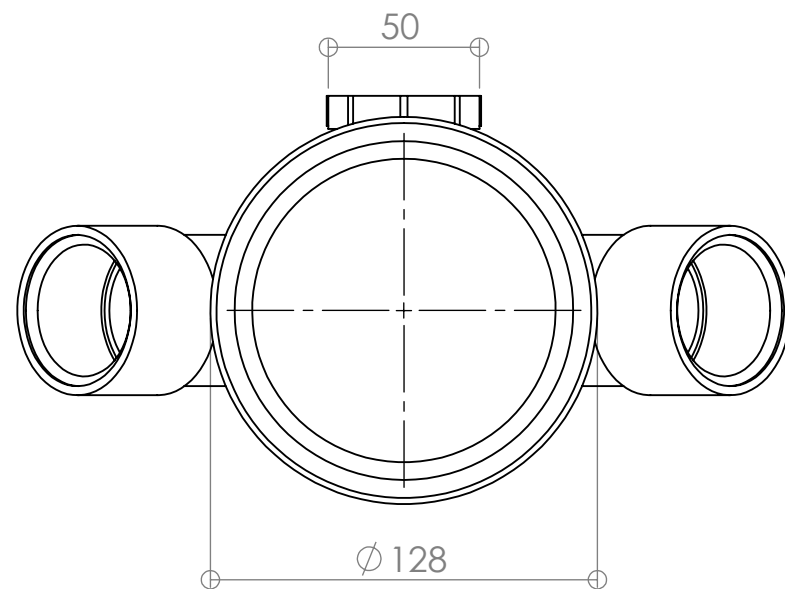


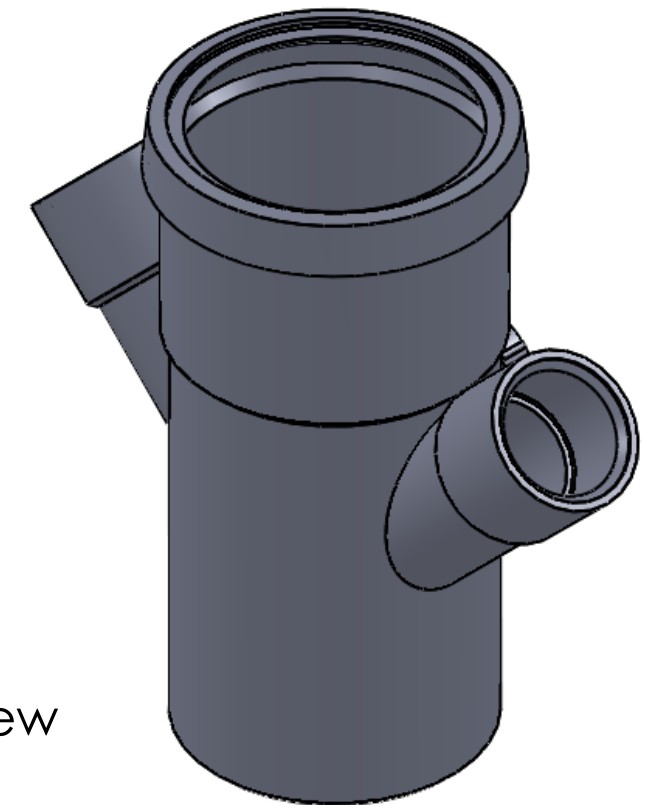
Front View  
Scale 1:2.5



Side View  
Scale 1:2.5



Top View  
Scale 1:2.5



Isometric View  
Scale 1:2.5

UNLESS OTHERWISE SPECIFIED: DIMENSIONS ARE IN MILLIMETERS SURFACE FINISH: TOLERANCES: LINEAR: ANGULAR:				FINISH:		DEBUR AND BREAK SHARP EDGES		DO NOT SCALE DRAWING		REVISION	
DRAWN				SIGNATURE		DATE		TITLE:			
CHK'D											
APPV'D											
MFG											
Q.A						MATERIAL:		DWG NO.		S110DRJ,240	
						WEIGHT:		SCALE:1:5		SHEET 1 OF 1	
										A3	