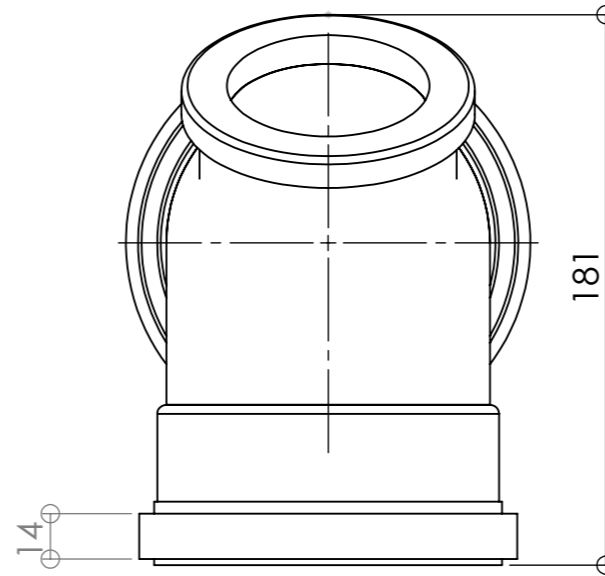
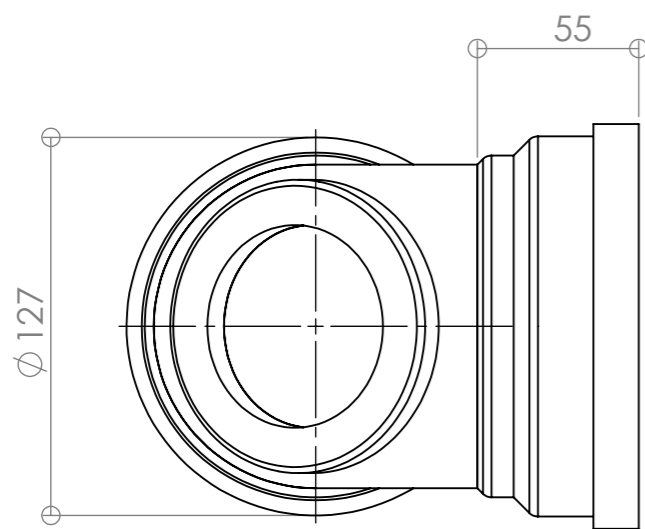


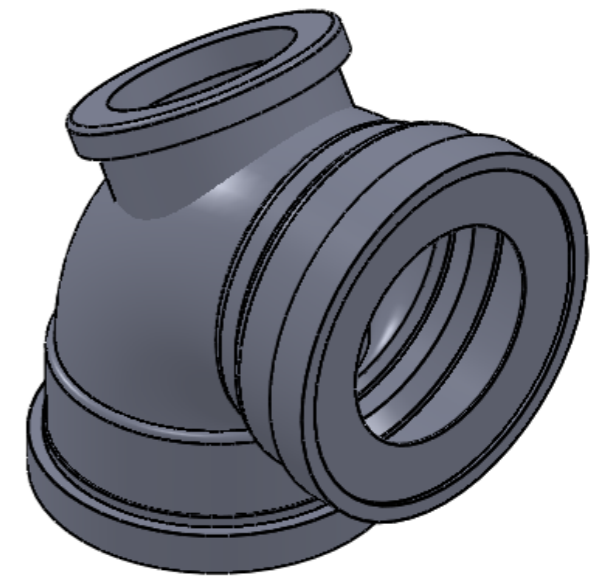
Front View
Scale 1:2.5



Side View
Scale 1:2.5



Top View
Scale 1:2.5



Isometric View
Scale 1:2.5

UNLESS OTHERWISE SPECIFIED: DIMENSIONS ARE IN MILLIMETERS		FINISH:		DEBUR AND BREAK SHARP EDGES		DO NOT SCALE DRAWING		REVISION	
SURFACE FINISH:									
TOLERANCES:									
LINEAR:									
ANGULAR:									
	NAME	SIGNATURE	DATE			TITLE:			
DRAWN									
CHK'D									
APPV'D									
MFG									
Q.A					MATERIAL:	DWG NO.		S110BPC,200	
						SCALE:1:2		A3	
					WEIGHT:	SHEET 1 OF 1			