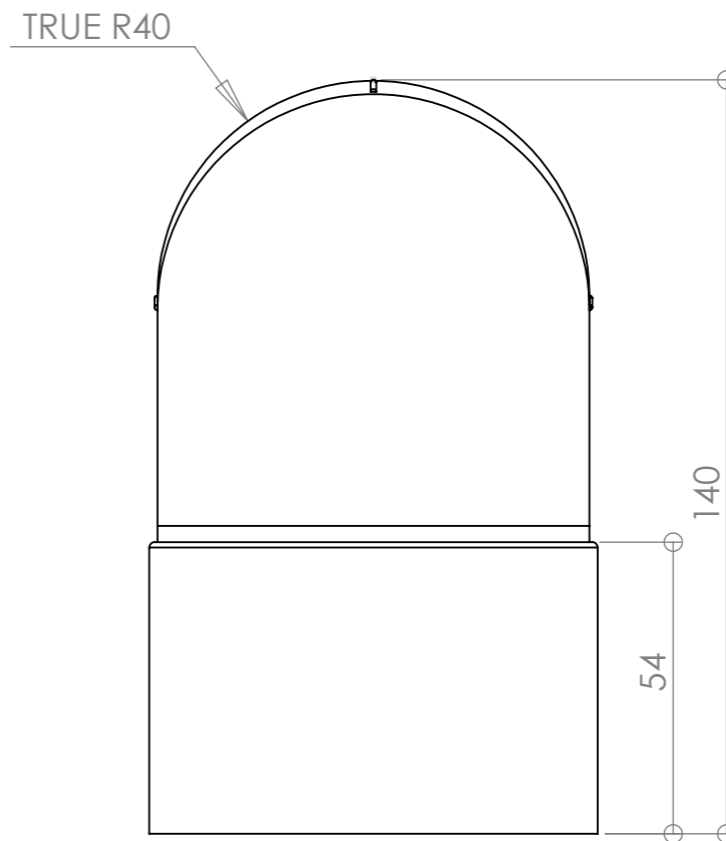
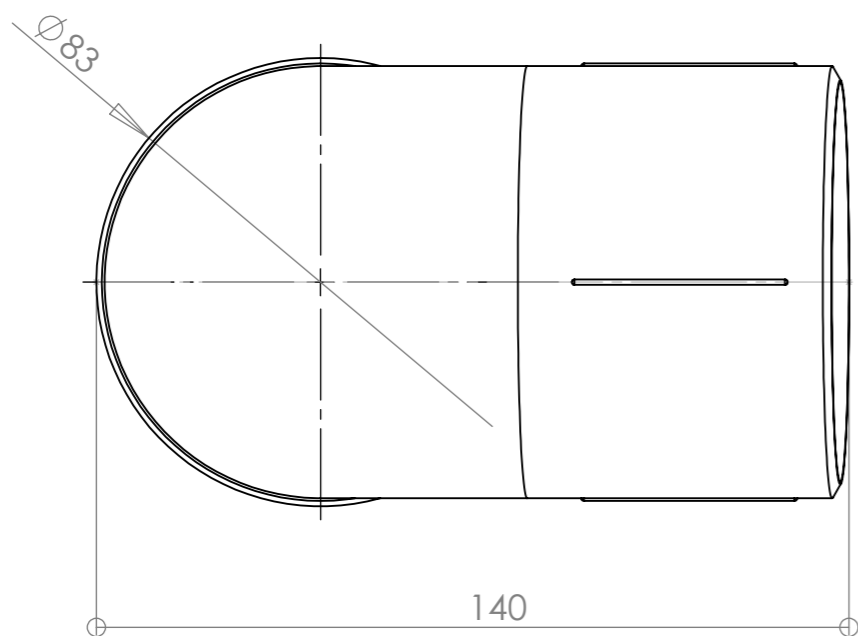


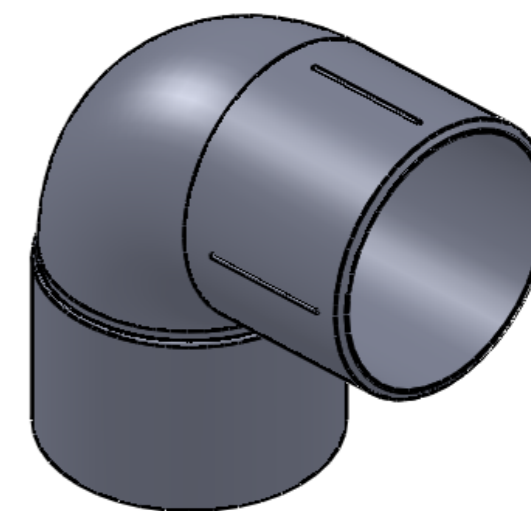
Front View
Scale 1:1.4



Side View
Scale 1:1.4



Top View
Scale 1:1.4



Isometric View

UNLESS OTHERWISE SPECIFIED: DIMENSIONS ARE IN MILLIMETERS SURFACE FINISH: TOLERANCES: LINEAR: ANGULAR:				FINISH:		DEBUR AND BREAK SHARP EDGES		DO NOT SCALE DRAWING		REVISION	
DRAWN	NAME	SIGNATURE	DATE					TITLE:			
CHK'D											
APPV'D											
MFG											
Q.A				MATERIAL:			DWG NO.		PPEB, 145		A3
				WEIGHT:			SCALE: 1:2		SHEET 1 OF 1		