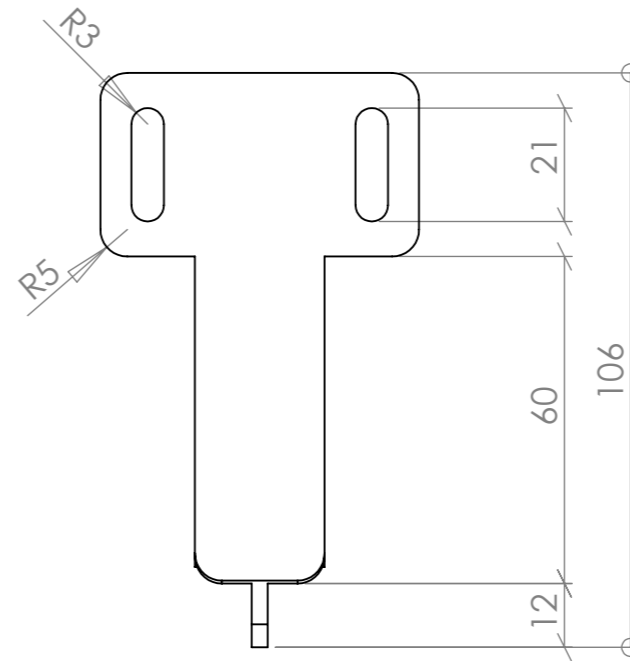
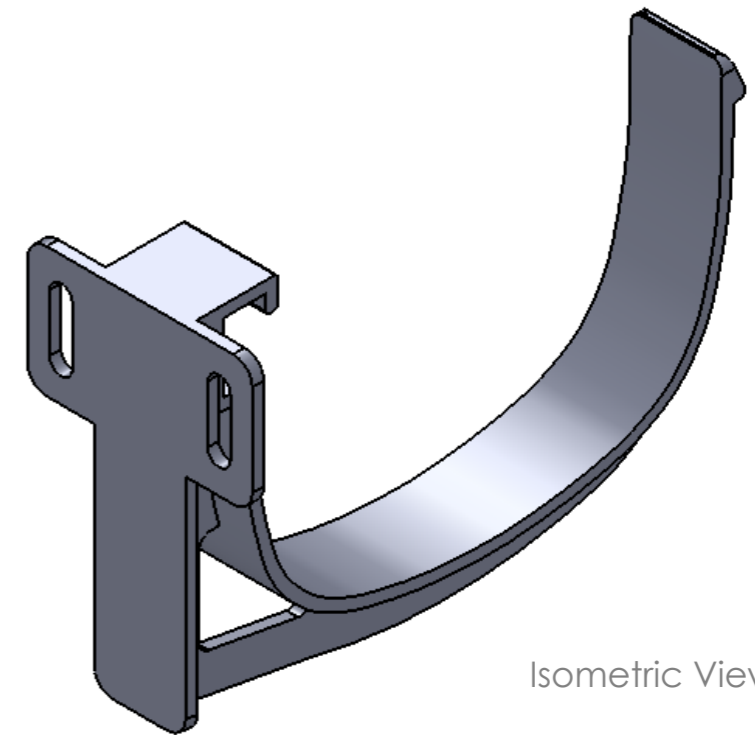


Front View
Scale : 1:1.4



Side View
Scale : 1:1.4



Isometric View



Top View
Scale : 1:1.4

UNLESS OTHERWISE SPECIFIED: DIMENSIONS ARE IN MILLIMETERS SURFACE FINISH: TOLERANCES: LINEAR: ANGULAR:		FINISH:	DEBUR AND BREAK SHARP EDGES	DO NOT SCALE DRAWING	REVISION
NAME	SIGNATURE	DATE	TITLE:		
DRAWN Luke Sträter		01/03/2012			
CHK'D					
APPV'D					
MFG					
Q.A			MATERIAL:	DWG NO. GPEBRA,095	A3
			WEIGHT:	SCALE:	SHEET 1 OF 1