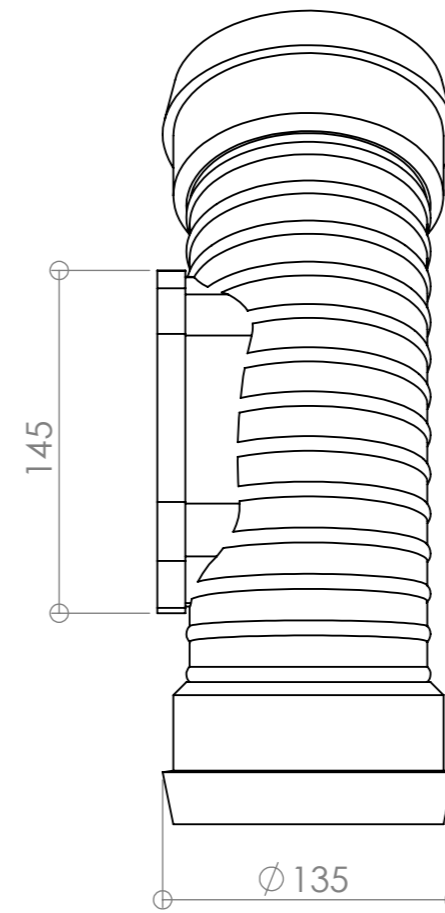
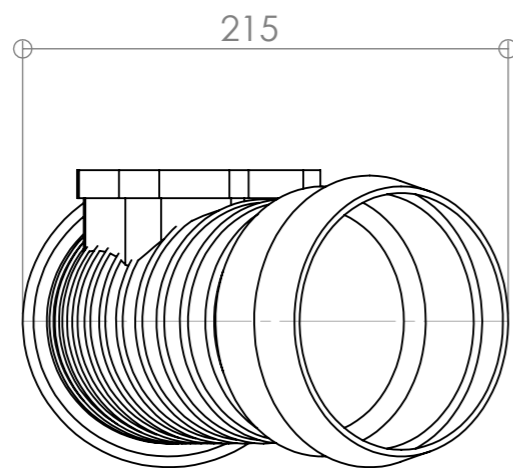


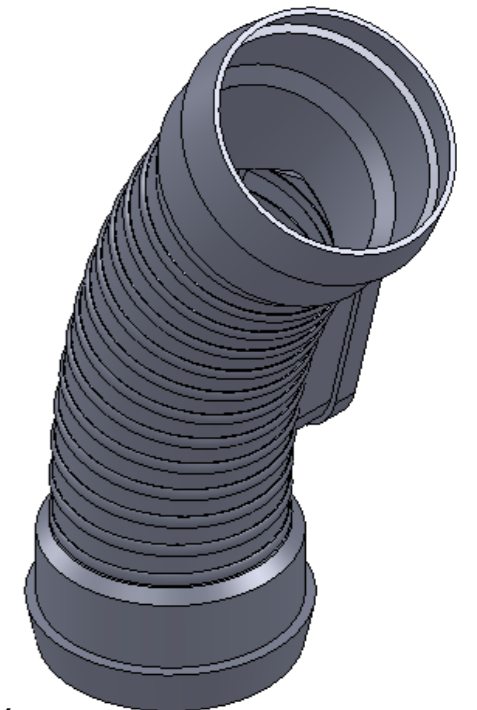
Front View  
Scale 1:3.5



Side View  
Scale 1:3.5



Top View  
Scale 1:3.5



Isometric View

UNLESS OTHERWISE SPECIFIED: DIMENSIONS ARE IN MILLIMETERS SURFACE FINISH: TOLERANCES: LINEAR: ANGULAR:				FINISH:		DEBUR AND BREAK SHARP EDGES		DO NOT SCALE DRAWING		REVISION	
				DRAWN		SIGNATURE		DATE		TITLE:	
CHK'D											
APPV'D											
MFG											
Q.A						MATERIAL:		DWG NO. <b>C110SBA,745</b>		A3	
						WEIGHT:		SCALE:1:5		SHEET 1 OF 1	